

1 CAMERA INPUT PANEL
AV4.01 SCALE 1" = 1" TYPICAL OF 13

2 WIRELESS MICROPHONE HOLDER
AV4.01 SCALE 1" = 1" TYPICAL OF 5

3 INFRARED EMITTER PANEL
AV4.01 SCALE 1" = 1" TYPICAL OF 2

4 MICROPHONE INPUT PANEL
AV4.01 SCALE 1" = 1"

5 DEMO CAMERA INPUT PANEL
AV4.01 SCALE 1" = 1"

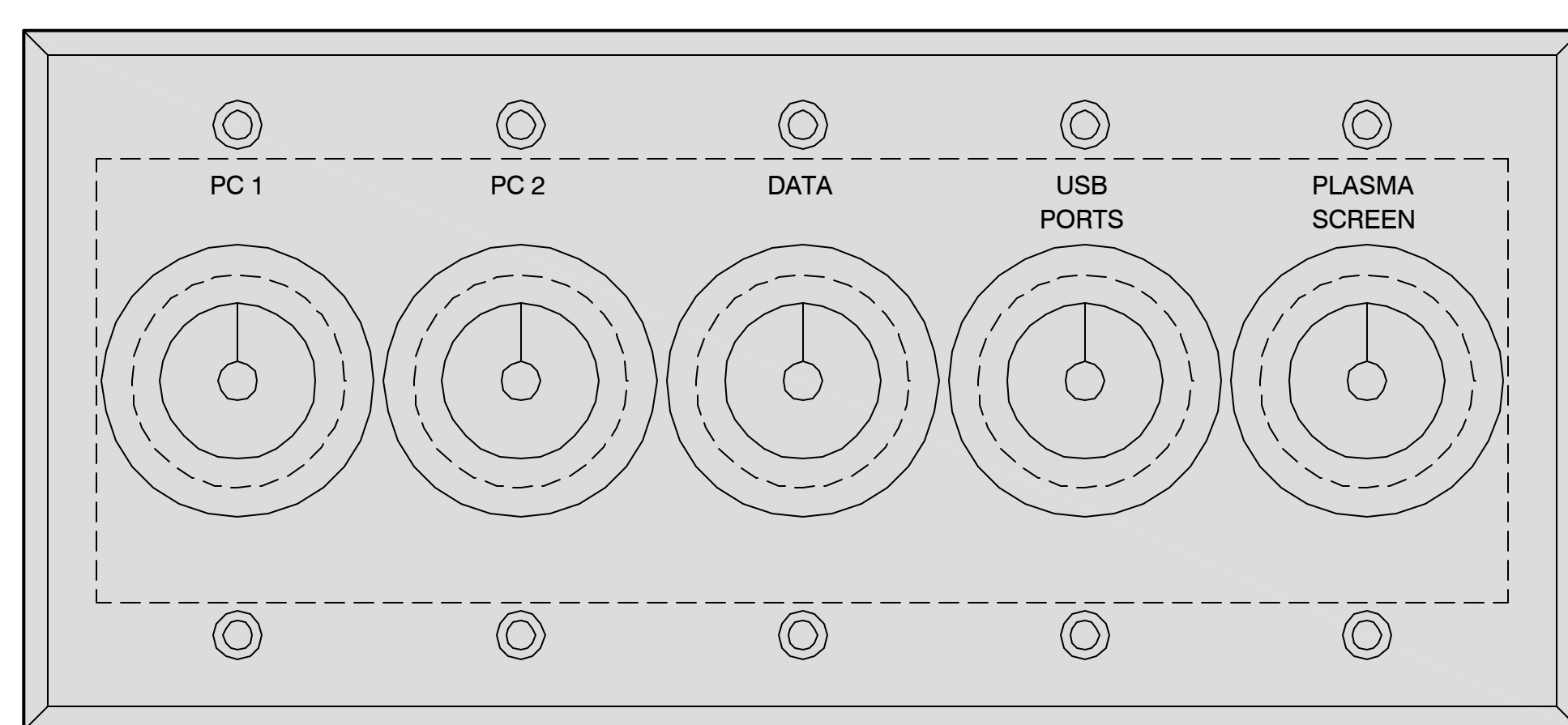
PANEL FABRICATION			
ITEM	SCHEDULE	DESCRIPTION	NOTES
1.	MATERIAL:	1/8" ANODIZED ALUMINUM	1-GANG
2.	FINISH:	BRUSHED	
3.	TEXT:	1/8" BLACK ENGRAVED	SWIS721 BT FONT
4.	VOLUME CONTROL:	N/A	
5.	INDICATOR:	N/A	
6.	SWITCH:	N/A	
7.	CONNECTORS:	SQUARE D G189 GROMMETT	REQ. 1-3/8" D. HOLE

PANEL FABRICATION			
ITEM	SCHEDULE	DESCRIPTION	NOTES
1.	MATERIAL:	1/8" ANODIZED ALUMINUM	1-GANG
2.	FINISH:	BRUSHED	
3.	TEXT:	1/8" BLACK ENGRAVED	SWIS721 BT FONT
4.	VOLUME CONTROL:	N/A	
5.	INDICATOR:	N/A	
6.	SWITCH:	N/A	
7.	CONNECTORS:	MOUNT SHURE WA371 TO CENTER OF PLATE	

PANEL FABRICATION			
ITEM	SCHEDULE	DESCRIPTION	NOTES
1.	MATERIAL:	1/8" ANODIZED ALUMINUM	1-GANG
2.	FINISH:	BRUSHED	
3.	TEXT:	1/8" BLACK ENGRAVED	SWIS721 BT FONT
4.	VOLUME CONTROL:	N/A	
5.	INDICATOR:	N/A	
6.	SWITCH:	N/A	
7.	CONNECTORS:	CANARE BCJ-RU SWITCHCRAFT PC712A	RF DC

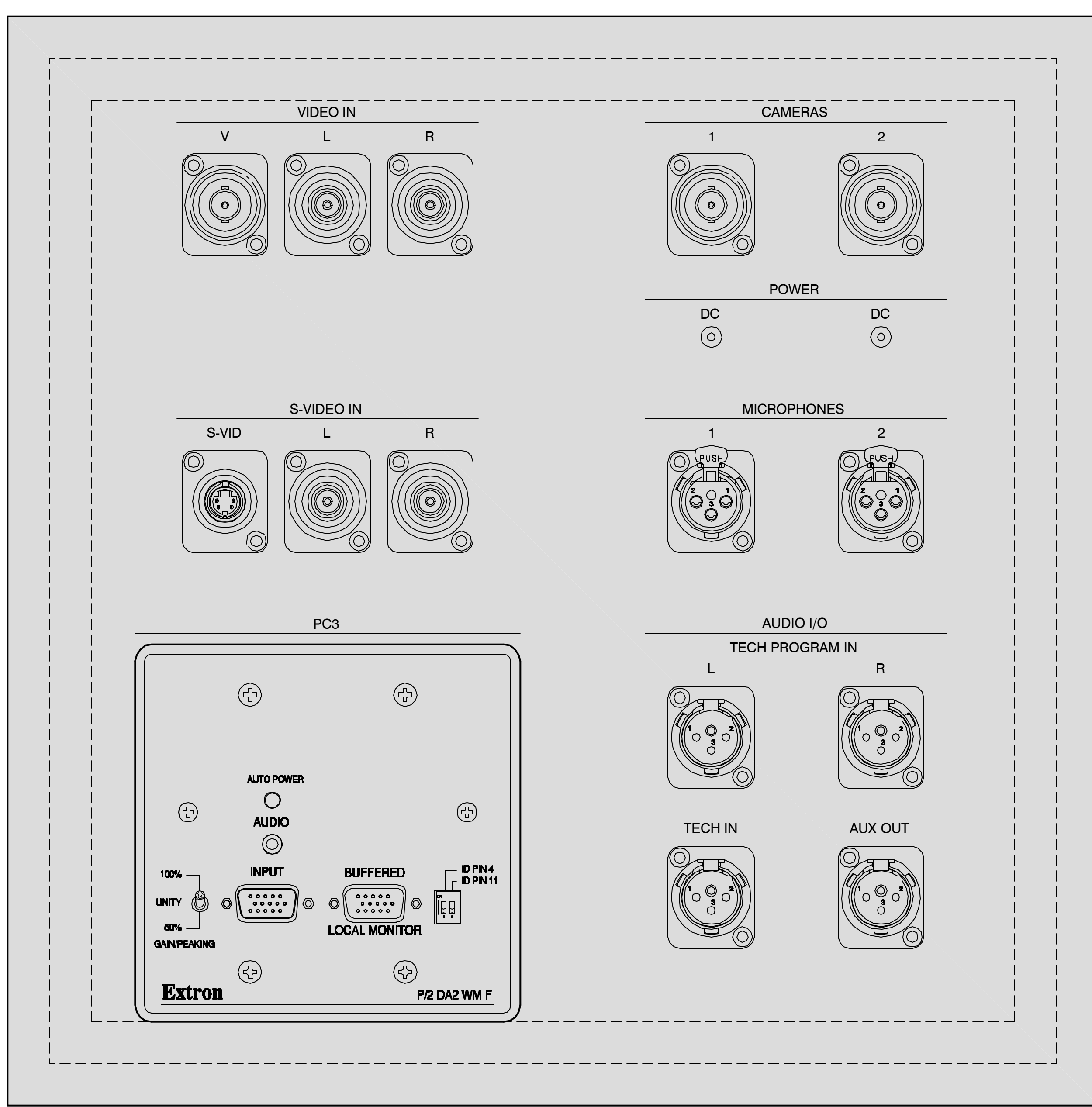
PANEL FABRICATION			
ITEM	SCHEDULE	DESCRIPTION	NOTES
1.	MATERIAL:	1/8" ANODIZED ALUMINUM	2-GANG
2.	FINISH:	BRUSHED	
3.	TEXT:	1/8" BLACK ENGRAVED	SWIS721 BT FONT
4.	VOLUME CONTROL:	N/A	
5.	INDICATOR:	N/A	
6.	SWITCH:	N/A	
7.	CONNECTORS:	SWITCHCRAFT D3F	3, 4, 5, 6

PANEL FABRICATION			
ITEM	SCHEDULE	DESCRIPTION	NOTES
1.	MATERIAL:	1/8" ANODIZED ALUMINUM	2-GANG
2.	FINISH:	BRUSHED	
3.	TEXT:	1/8" BLACK ENGRAVED	SWIS721 BT FONT
4.	VOLUME CONTROL:	N/A	
5.	INDICATOR:	N/A	
6.	SWITCH:	N/A	
7.	CONNECTORS:	CANARE BCJ-RU SWITCHCRAFT PC712A	3 & 4 DC



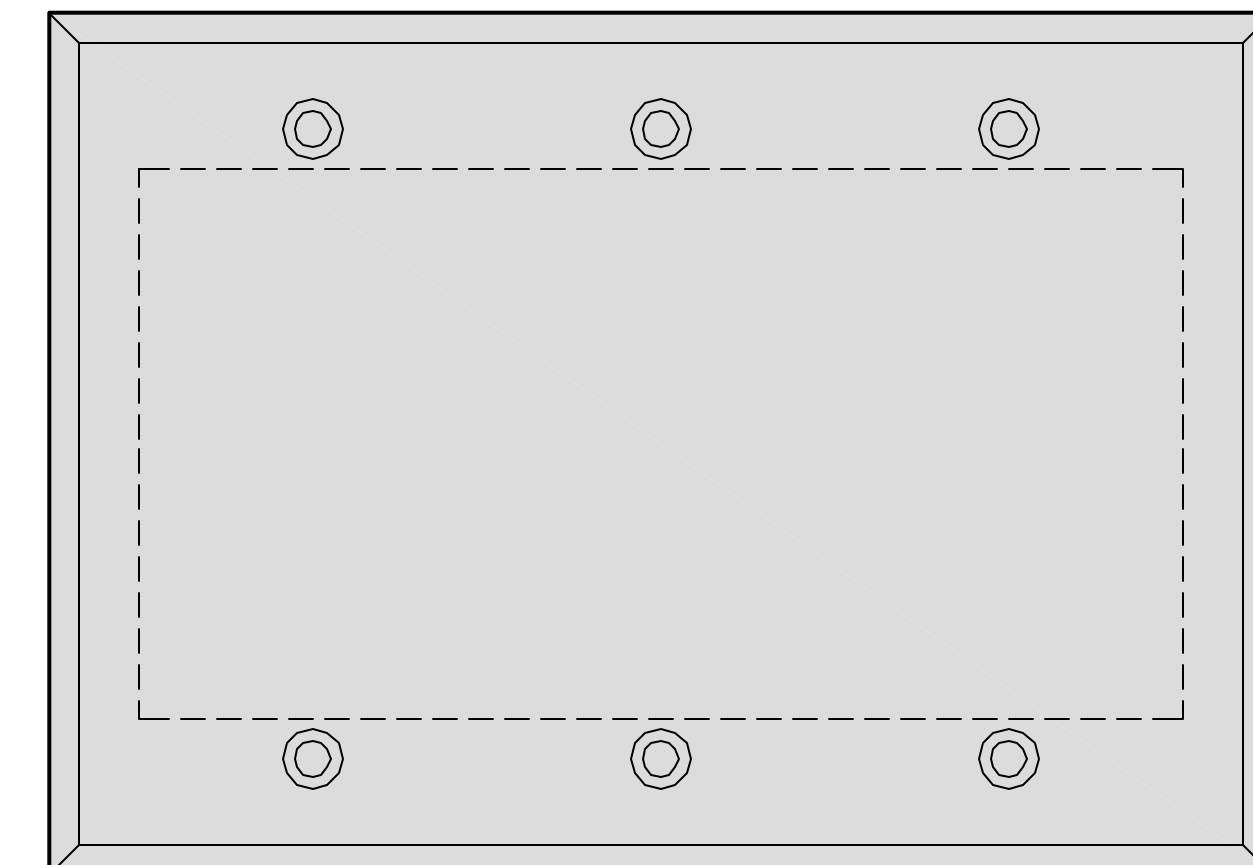
6 A/V WORKSTATION PLATE #1
AV4.01 SCALE 1" = 1"

PANEL FABRICATION			
ITEM	SCHEDULE	DESCRIPTION	NOTES
1.	MATERIAL:	1/8" ANODIZED ALUMINUM	1-GANG
2.	FINISH:	BRUSHED	
3.	TEXT:	1/8" BLACK ENGRAVED	SWIS721 BT FONT
4.	VOLUME CONTROL:	N/A	
5.	INDICATOR:	N/A	
6.	SWITCH:	N/A	
7.	CONNECTORS:	SQUARE D G189 GROMMETT	REQ. 1-3/8" D. HOLE



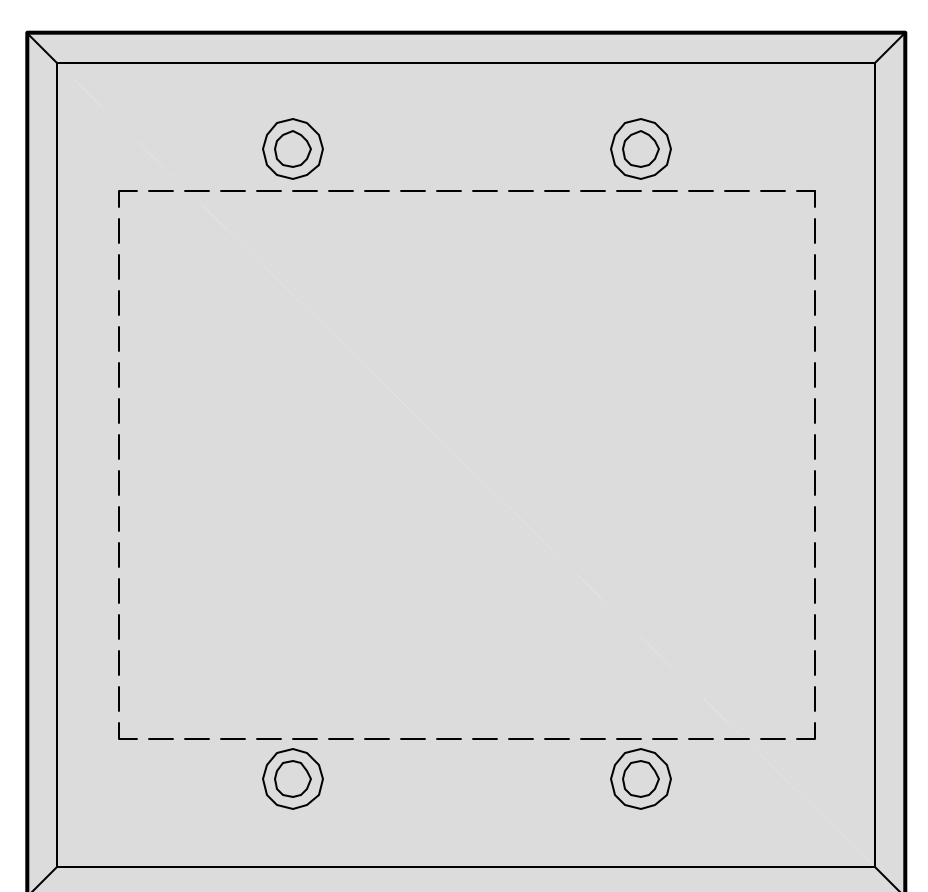
8 WORKSTATION PANEL
AV4.01 SCALE 1" = 1"

PANEL FABRICATION			
ITEM	SCHEDULE	DESCRIPTION	NOTES
1.	MATERIAL:	1/8" ANODIZED ALUMINUM	13" x 13"
2.	FINISH:	BRUSHED	
3.	TEXT:	1/8" BLACK ENGRAVED	SWIS721 BT FONT
4.	VOLUME CONTROL:	N/A	
5.	INDICATOR:	N/A	
6.	SWITCH:	N/A	
7.	CONNECTORS:	CANARE BCJ-RU SWITCHCRAFT D3M SWITCHCRAFT D3F CANARE RJ-RU PROCO TCS415P SWITCHCRAFT PC712A CUT-OUT FOR	V, CAMERAS 1 & 2 TECH IN, L & R, AUX OUT MICROPHONES 1 & 2 VIDEO & S-VIDEO L & R S-VID DC EXTRON P/2 DA2 WMF



9 AUX INPUT PANEL
AV4.01 SCALE 1" = 1"

PANEL FABRICATION			
ITEM	SCHEDULE	DESCRIPTION	NOTES
1.	MATERIAL:	1/8" ANODIZED ALUMINUM	3-GANG
2.	FINISH:	BRUSHED	
3.	TEXT:	1/8" BLACK ENGRAVED	SWIS721 BT FONT
4.	VOLUME CONTROL:	N/A	
5.	INDICATOR:	N/A	
6.	SWITCH:	N/A	
7.	CONNECTORS:	CUT-OUT FOR EXTRON RGB464xi	PROVIDE BLANK COVER FOR UNUSED Y/C CONN.



7 A/V WORKSTATION PLATE #2
AV4.01 SCALE 1" = 1"

PANEL FABRICATION			
ITEM	SCHEDULE	DESCRIPTION	NOTES
1.	MATERIAL:	1/8" ANODIZED ALUMINUM	1-GANG
2.	FINISH:	BRUSHED	
3.	TEXT:	1/8" BLACK ENGRAVED	SWIS721 BT FONT
4.	VOLUME CONTROL:	N/A	
5.	INDICATOR:	N/A	
6.	SWITCH:	N/A	
7.	CONNECTORS:	AC POWER OUTLET	

PROJECT

SHEET TITLE
A/V PANEL DETAILS

DATE: 11-28-05
DRAWN BY: RMH
CHECKED BY:

REVISIONS		
DATE	BY	CK'D

JOB#: XXXX
AV4.01